

ACCESSORIES

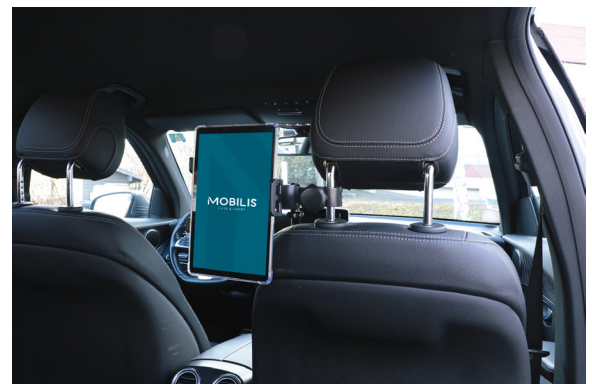
2
YEAR
WARRANTY

To facilitate and secure the daily use of your smartphone or tablet, MOBILIS[®] has created the unique U.FIX range of mounts for these devices. You can now take them with you throughout your daily activities.



CAR HEADREST MOUNT FOR TABLET/SMARTPHONE

Ref. 001282



Weight: 192 g | Dimensions: 200 x 120 x 80 mm

ACCESSORIES

HEADRESTS MOUNT FOR TABLET/SMARTPHONE

2
YEAR
WARRANTY

PLUS-PRODUCTS

Headrest mount



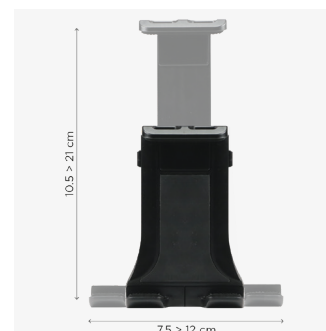
Portrait mode



Landscape mode



Clip lock



+ Adjustable position thanks to its swivel arm and pivoting head

+ 2 usable positions for your tablet or smartphone : vertical or horizontal

SPECIFICATIONS

Ref	Product designation	EAN code	
001282	Universal Car Headrest Mount for Tablet	3700992518251	
Packed product weight	Packed product dimensions	SPCB quantity	PCB quantity
238 g	110 x 142 x 83 mm	5	20



www.mobiliscase.com

Headquarters - Parc Altais - 7, Rue Orion
74650 Chavanod - FRANCE

[f](#) @Mobiliscase [@](#) Mobiliscase [in](#) @MOBILIS [▶](#) @Mobiliscase

MOBILIS
CARE & CARRY

MOBILIS™, the MOBILIS™ logos (MOBILIS™ logo, MOBILIS™ Care & Carry logo and M logo), and other distinctive signs appearing on this file are trademarks of MOBILIS DEVELOPMENT. All logos are also protected by Copyright. Non-contractual pictures.