

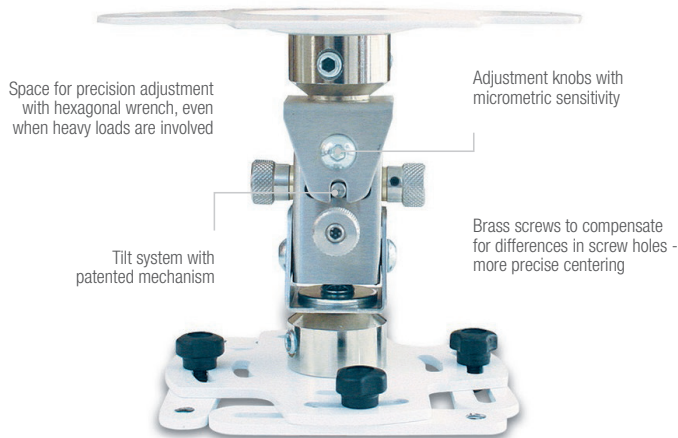
# UNIVERSAL PROJECTOR CEILING MOUNT PJ01UCM

ORDER CODE: 100014003

Universal Projector ceiling mount for installation of NEC V, M, P and PA Series projector.

The PJ01UCM is engineered for compact strength and is designed with superior grip adjustment knobs to deliver the easiest fine-tuning for precise image alignment, with the capacity to hold up to a 20kg projector. While stout and sturdy in structure, this mount boasts premium adjustability and enhanced functionality. No tools are required for image alignment, thanks to the dual-knobs design which provides a hassle-free method for micrometrical adjustment of the gears.

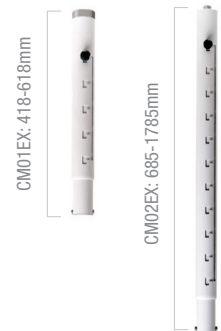
PJ01UCM



Tilt Mechanism – up to 30°

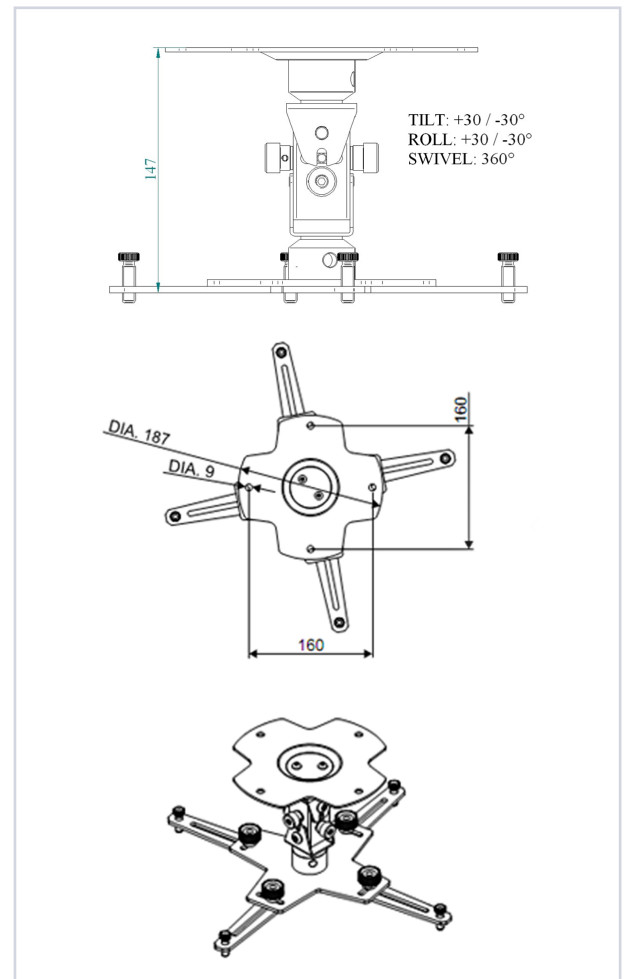


OPTIONAL EXTENSION COLUMNS



## TECHNICAL DRAWINGS

### PROJECTOR CEILING MOUNT – PJ01UCM



## Delivering Genuine Benefits

Easy fine-tuning for precise image alignment

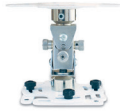
No tools required for image alignment

Integrated cable management through optional extension column for clean appearance

Adjustable extension lengths with optional extension columns

Universal adapter plate to fit NEC V, M, P and PA series projectors

5 years warranty

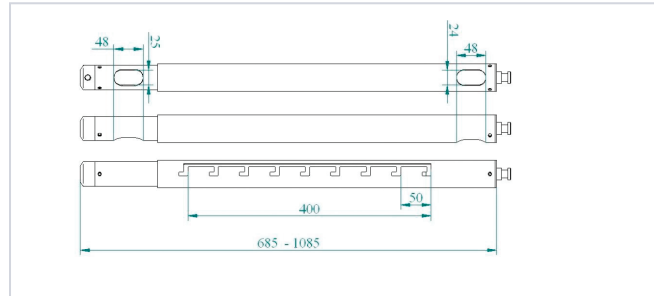
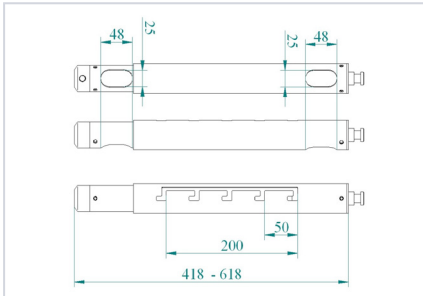


# UNIVERSAL PROJECTOR CEILING MOUNT PJ01UCM

**ORDER CODE: 100014003**

## MEDIUM EXTENSION COLUMN – CM01EX

## LARGE EXTENSION COLUMN – CM02EX



## TECHNICAL SPECIFICATIONS

ORDER CODES	
<b>PJ01UCM</b>	100014003
<b>CM01EX (418-618mm)</b>	100014001
<b>CM02EX (685-1785mm)</b>	100014002
<b>Max. Load (kg)</b>	20
LENGTH	
<b>PJ01UCM (mm)</b>	147
<b>CM01EX (mm)</b>	418 - 618
<b>CM02EX (mm)</b>	685 - 1.785
<b>TILT ANGLE</b>	up to 30°
<b>SWIVEL</b>	360°
WEIGHT	
<b>PJ01UCM (kg)</b>	2,1
<b>CM01EX (kg)</b>	1,4
<b>CM02EX (kg)</b>	2,1
PACKAGE DIMENSIONS (W X H X D)	
<b>PJ01UCM (mm)</b>	250 x 250 x 210
<b>CM01EX (mm)</b>	90 x 90 x 470
<b>CM02EX (mm)</b>	90 x 90 x 750
<b>SHIPPING CONTENT - PJ01UCM</b>	Ceiling mount (ceiling plate, calibration device, projector adapter plate), 5 x M4 screws, 4 x 105mm adjustable arms, 2 x 150mm adjustable arms
<b>COLOUR</b>	White
<b>COMPATIBLE NEC PROJECTORS:</b>	V, M, P and PA Series
<b>WARRANTY</b>	5 years
For additional pictures, drawings and Solutions overview, visit <a href="http://www.nec-display-solutions.com">www.nec-display-solutions.com</a>	* Please consider the overall weight of the complete construction. It is the installers responsibility to make certain the structure to which the mount is being attached is capable of supporting all equipment. For this NEC does not take any responsibility. Please consult your local vendor if advise is needed.

This document is © Copyright 2015 NEC Display Solutions Europe GmbH. All rights are reserved in favour of their respective owners. The document, or parts thereof, should not be copied, adapted, redistributed, or otherwise used without the prior written permission of NEC Display Solutions Europe GmbH. This document is provided "as is" without warranty of any kind whatsoever, either express or implied. Errors and omissions are excepted.

NEC Display Solutions Europe GmbH may make changes, revisions or improvements in, or discontinue the supply of any product described or referenced in this document at any time without notice. 7. May 2015

NEC Information:

Call: +49 (0)89/99 699-0

Email: [infomail@nec-displays.com](mailto:infomail@nec-displays.com)

[www.nec-display-solutions.com](http://www.nec-display-solutions.com)

Empowered by Innovation